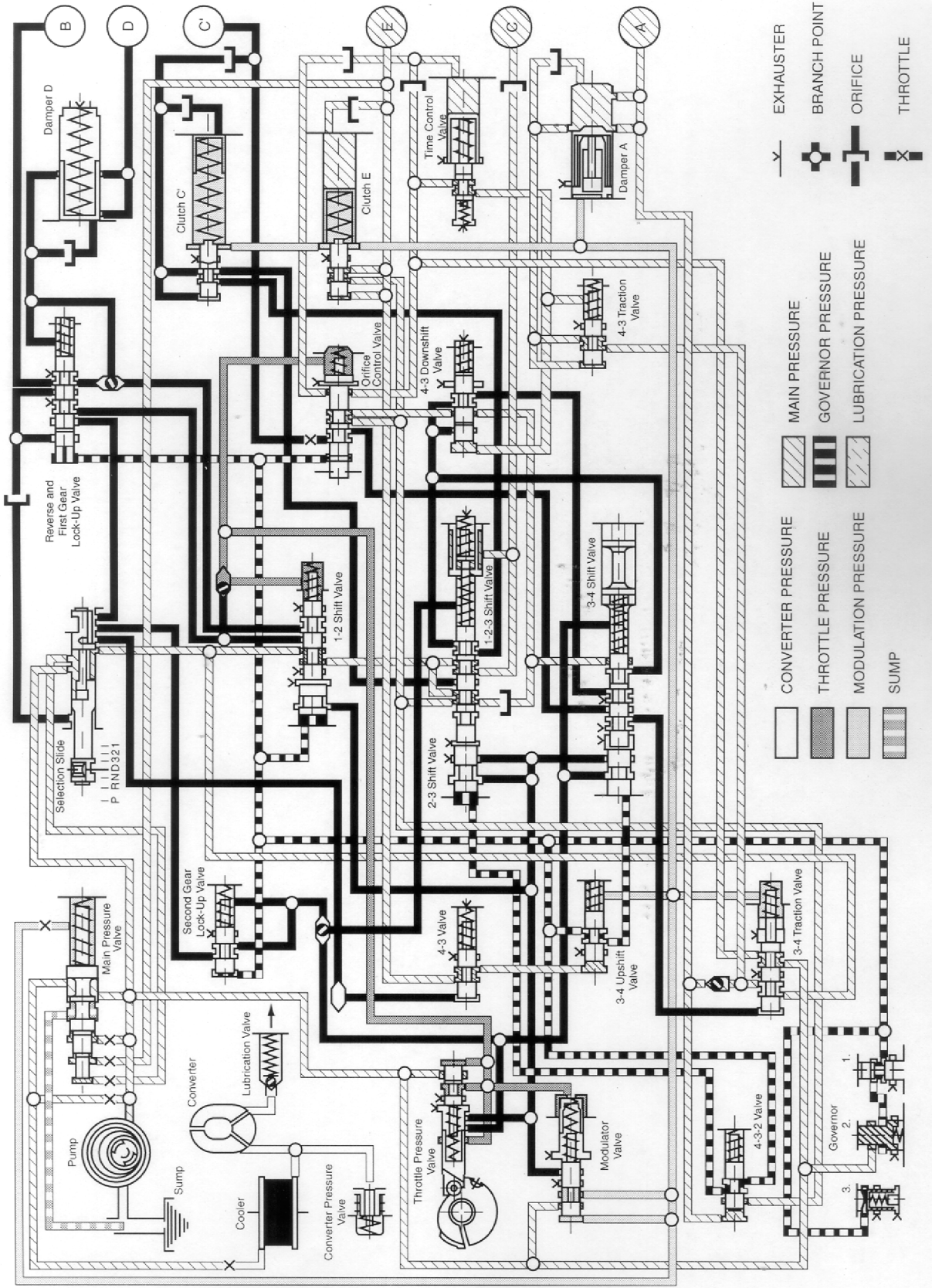
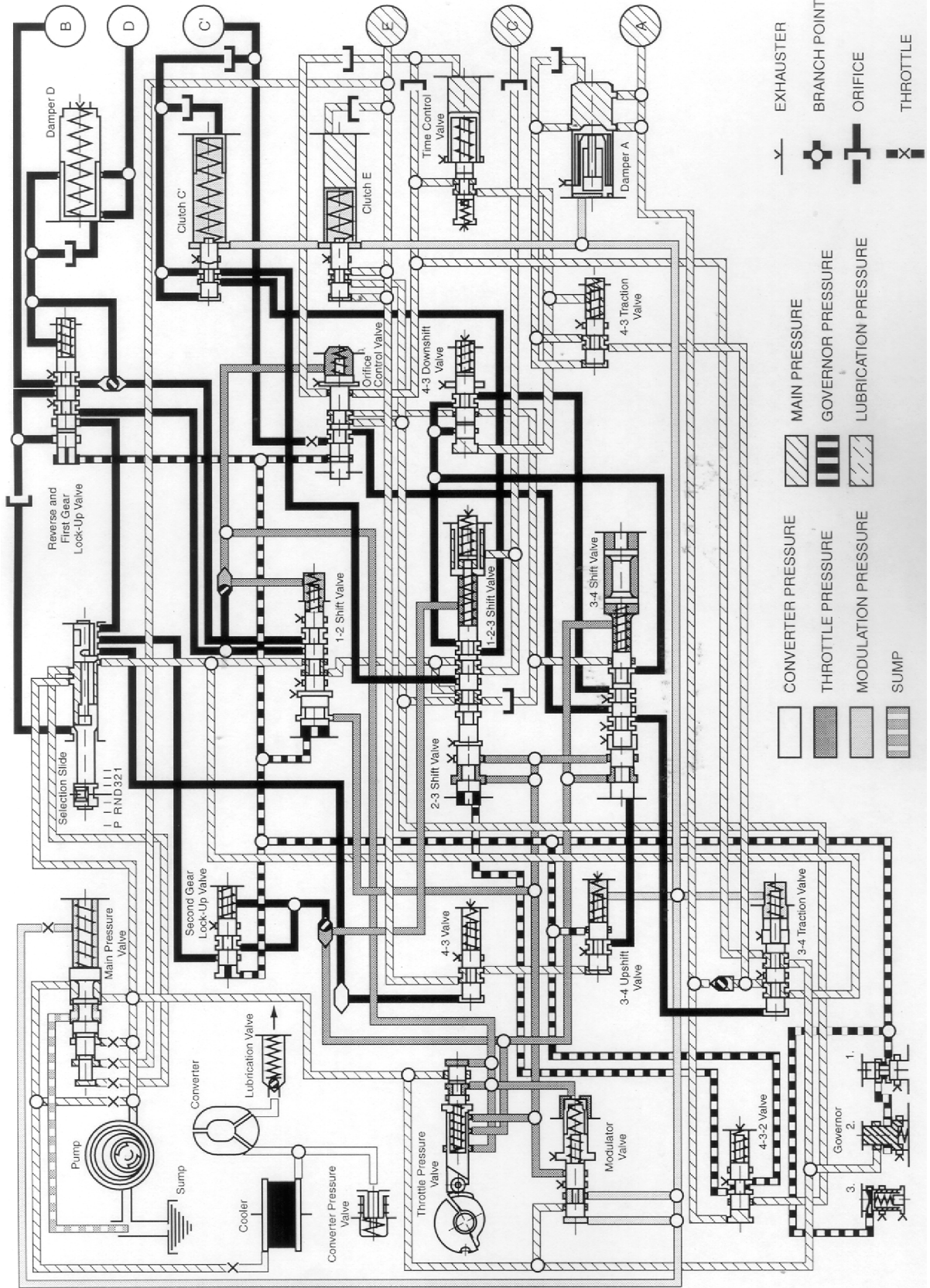


POSITION D - THIRD GEAR, IDLING



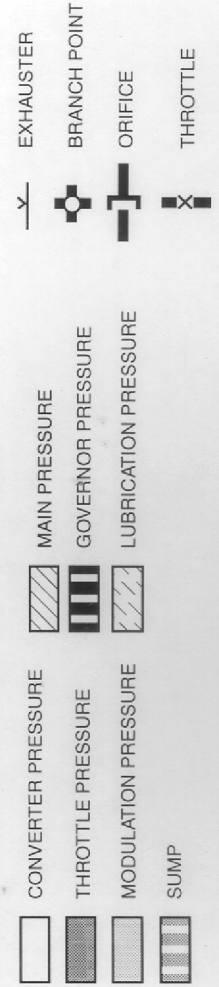
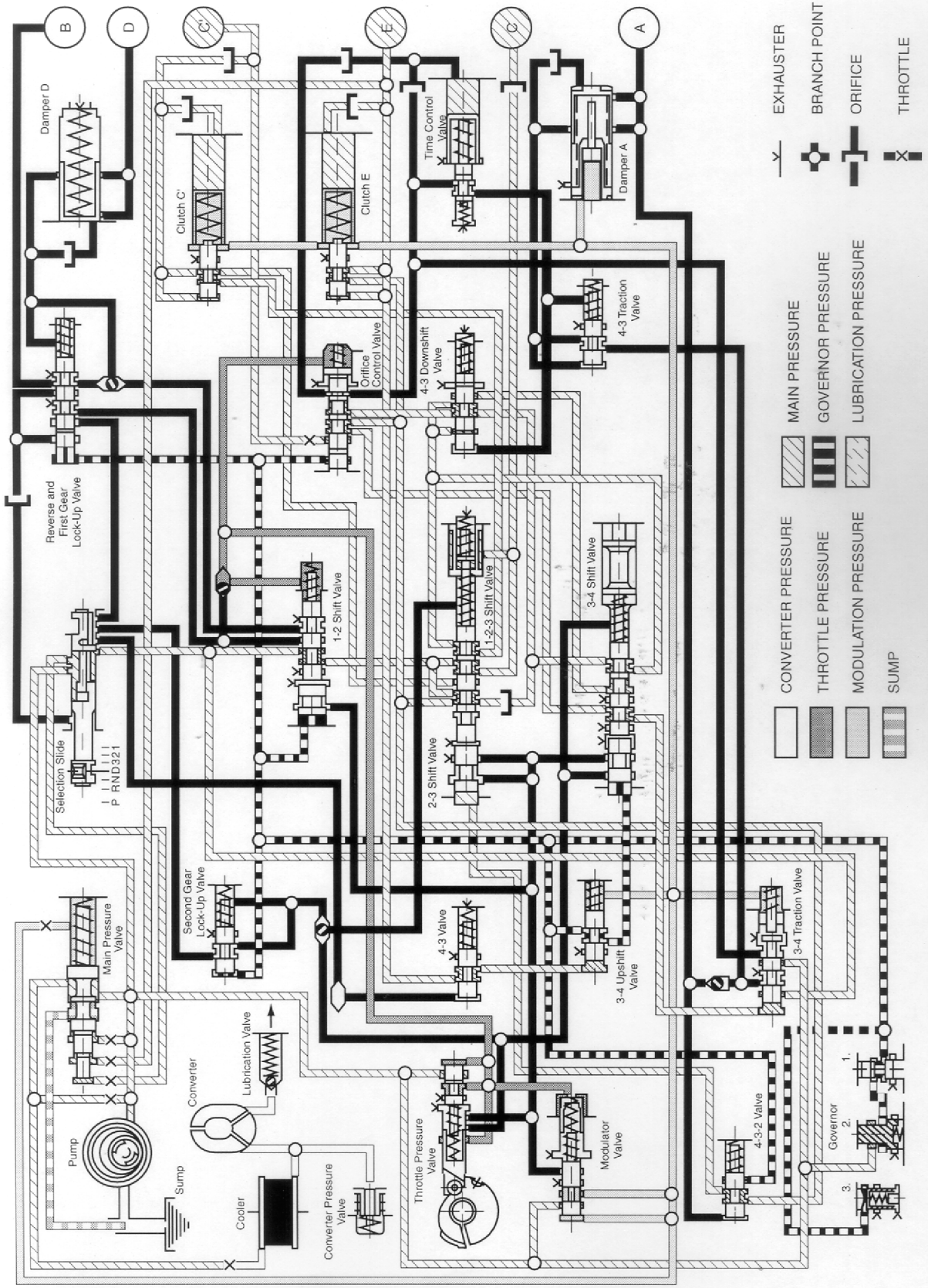
- EXHAUSTER
- BRANCH POINT
- ORIFICE
- THROTTLE
- CONVERTER PRESSURE
- THROTTLE PRESSURE
- MODULATION PRESSURE
- SUMP
- MAIN PRESSURE
- GOVERNOR PRESSURE
- LUBRICATION PRESSURE

POSITION D - THIRD GEAR, KICKDOWN



B103A321

POSITION D - FOURTH GEAR, IDLING



B103A322